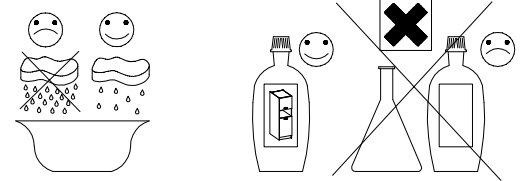
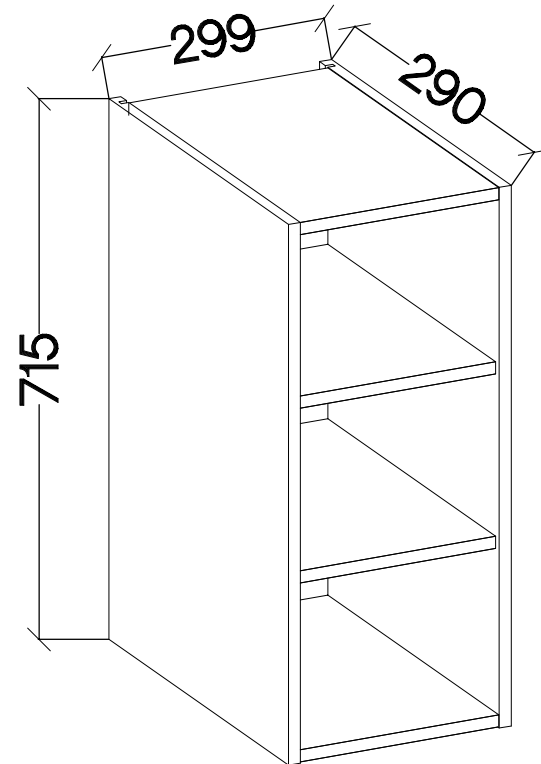
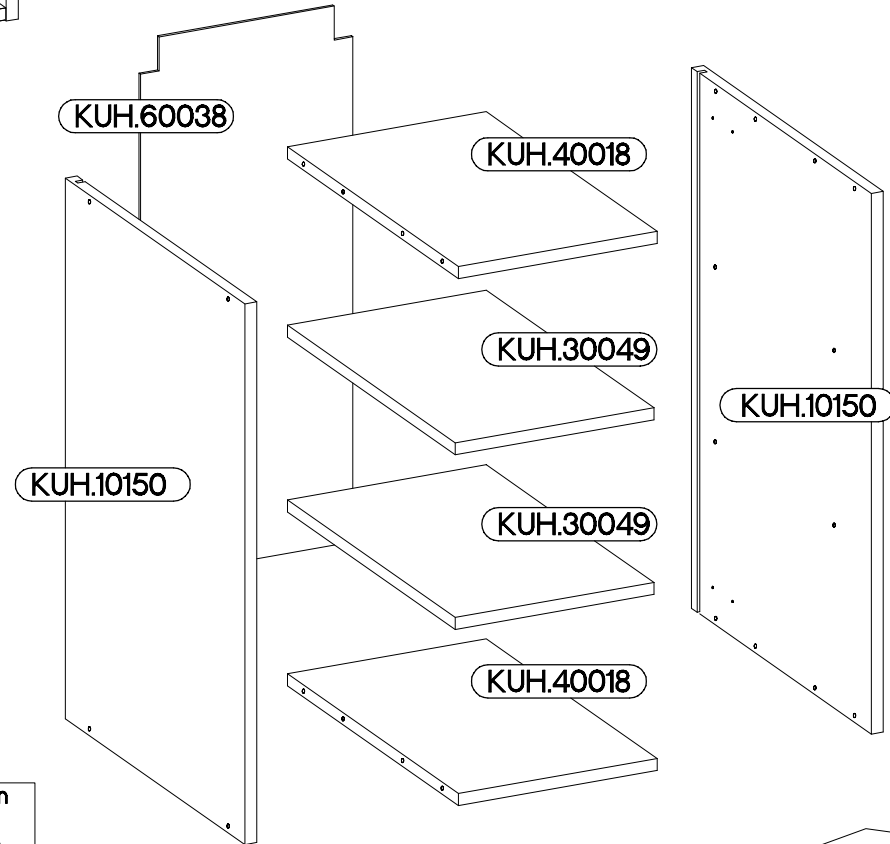
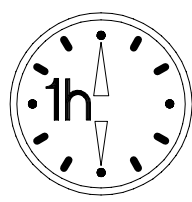


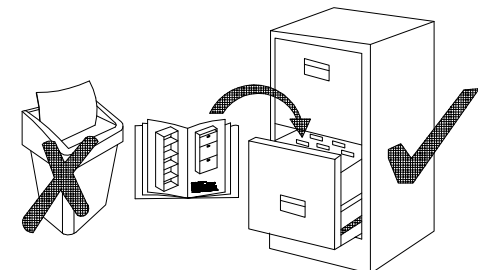
30 G-72 OTW



KUH.30049
KUH.40018

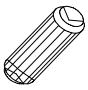

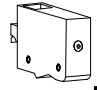


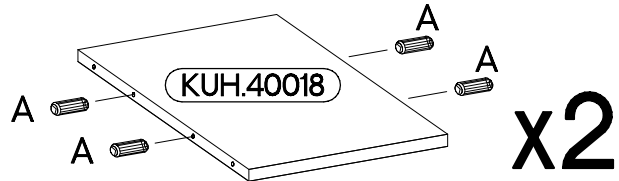
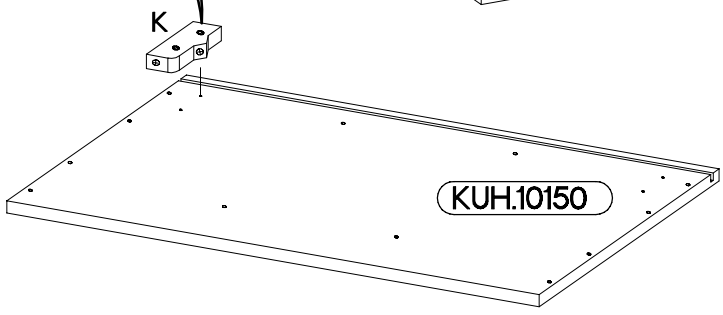
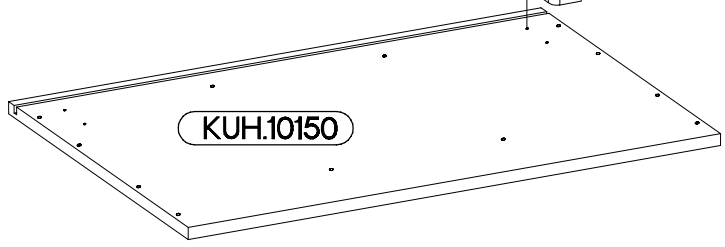
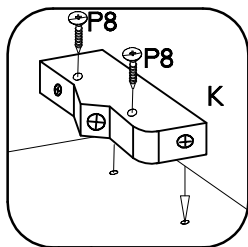
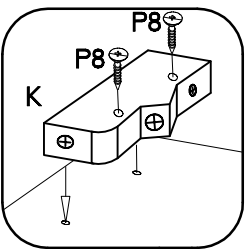
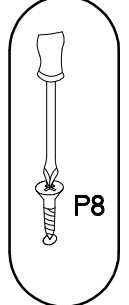
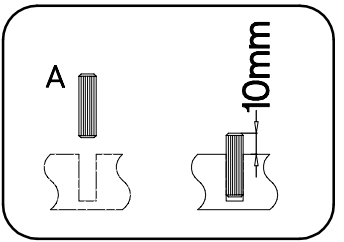
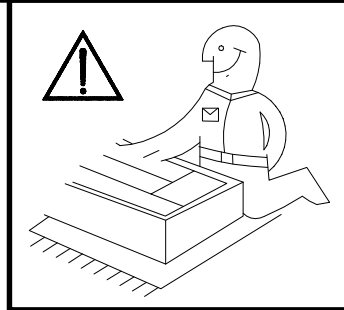
<p>8x30mm A</p>	<p>6,4 x 50mm B</p>	<p>E1</p>	<p>5/19mm J</p>
8	8	8	8
<p>K</p>	<p>O</p>	<p>3.0x20mm P7</p>	<p>4.0x30mm P8</p>
2	1	6	4




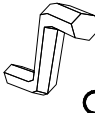

ISM-KUH-01000

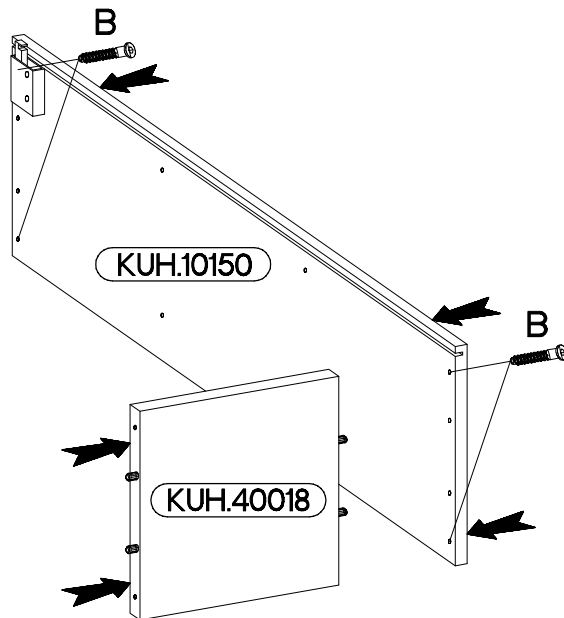
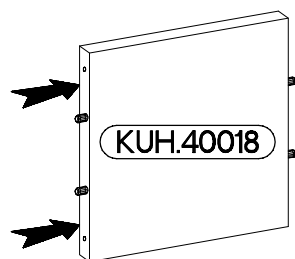
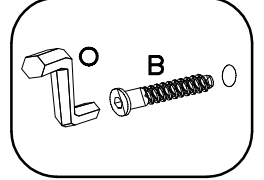
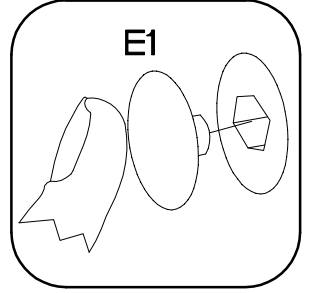
1

†8x30mm  A	†4.0x30mm  P8	 K
8	4	2


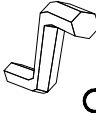



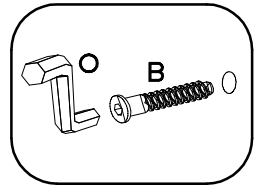
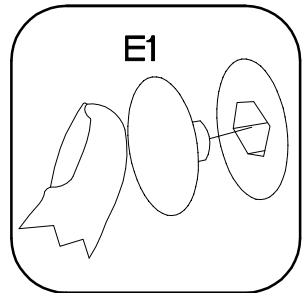
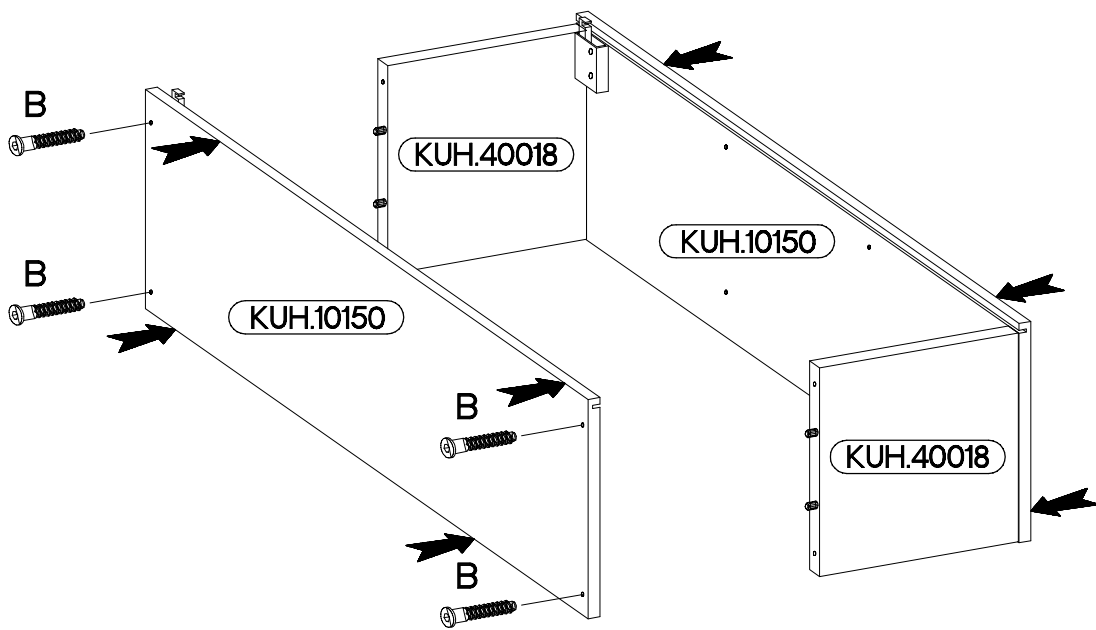
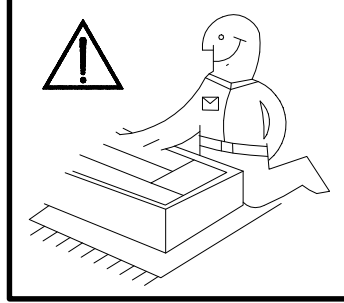
2

6,4 x 50mm  B	 O	 E1
4	1	4




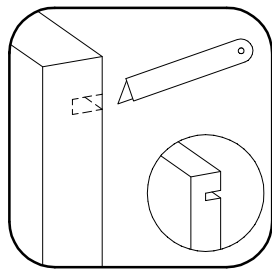
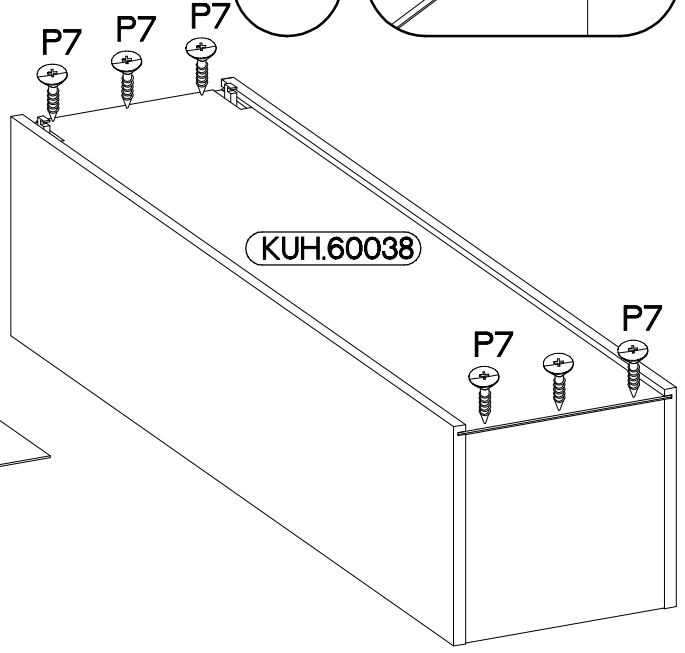
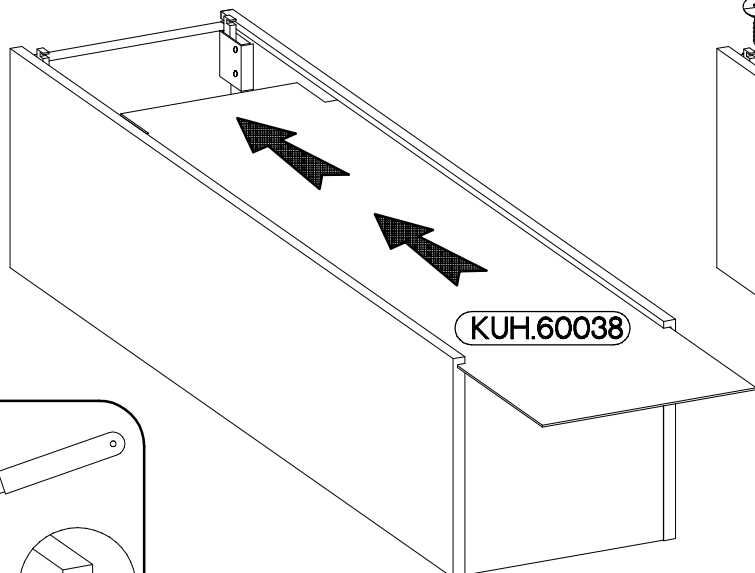
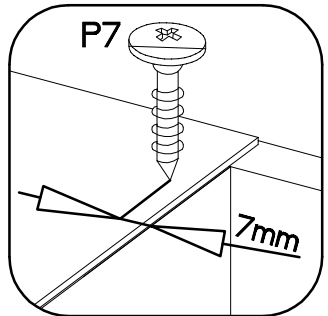
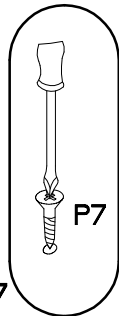
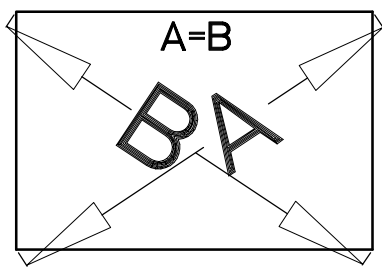
3

6,4 x 50mm		
		
B	O	E1
4	1	4

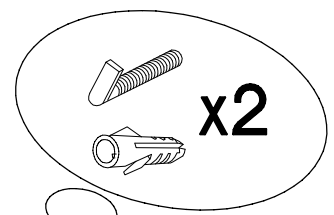
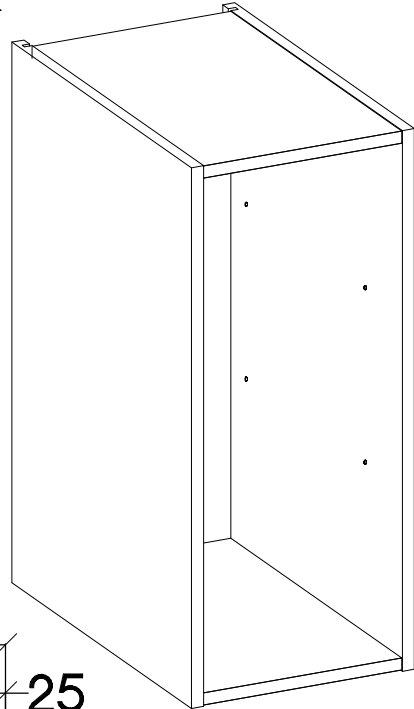
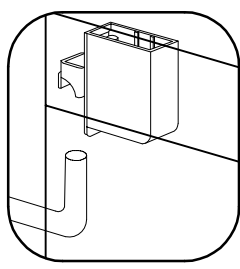
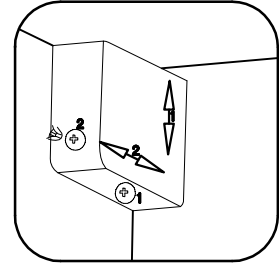
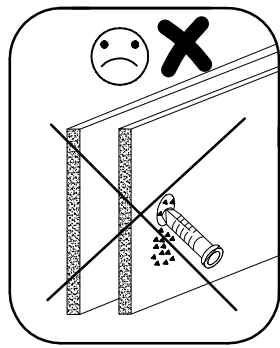
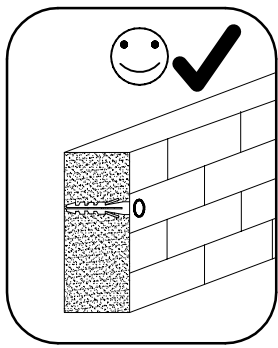
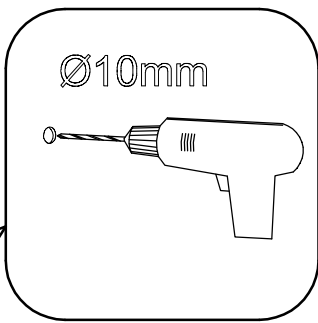
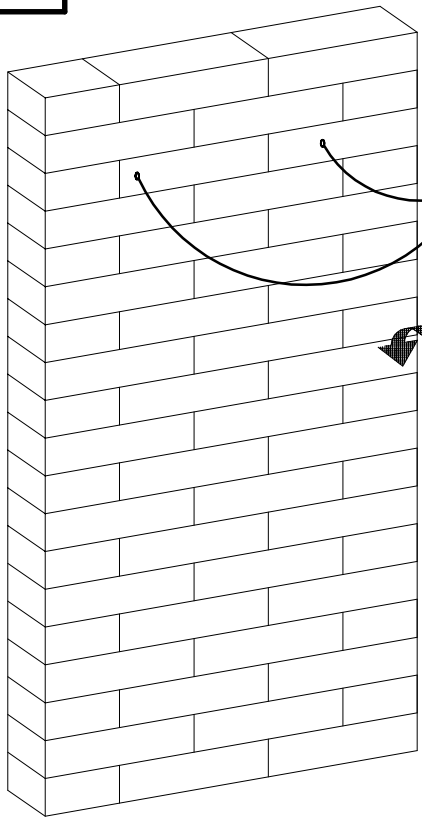


4

#3.0x20mm	
	P7
6	



5



6

